

Get a Quote

Overview

Hikvision DS-7732NI-K4 is the DS-7700NI-K4 series NVR.

Quick Spec

Table 1 shows the quick spec.

Model	DS-7732NI-K4
Video/Audio Input	
Two-way audio input	1-ch, RCA (2.0 Vp-p, 1kΩ)
IP video input	32-ch
Network	
Remote connection	128
Incoming bandwidth	256Mbps
Outgoing bandwidth	160Mbps
Video/Audio Output	
HDMI Output	1-ch, resolution: 4K (3840*2160)/60Hz, 4K (3840*2160)/30Hz, 1920*1080P/60Hz, 1600*1200/60Hz, 1280*1024/60Hz, 1280*720/60Hz, 1024*768/60Hz
Recording Resolution	8MP/6MP/5MP/4MP/3MP/1080p/UXGA/720p/VGA/4CIF/DCIF/2CIF/CIF/QCIF
Audio Output	1-ch, RCA (Linear, 1kΩ)
Synchronous Playback	16-ch
VGA Output	1-ch, resolution: 1920*1080P/60Hz, 1280*1024/60Hz, 1280*720/60Hz, 1024*768/60Hz

Product Details

DS-7700NI-K4 series NVR provides these key features:

- Third-party network cameras supported
- Up to 8 Megapixels resolution recording
- Support 1-ch HDMI, 1-ch VGA, HMDI at up to 4K(3840x2160)

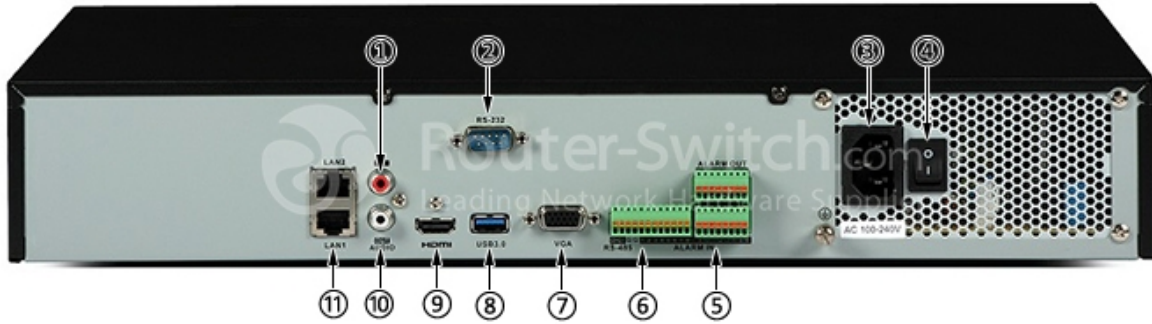
resolution

- 16/32-ch network cameras can be connected with 160M/256M incoming bandwidth
- Up to 4 SATA interfaces
- Support dual-os to ensure high reliability of system

running

- Support various VCA detection alarm and VCA search
- Support H.265/H.264/MPEG4 video formats

Physical Interfaces



Note:

(1)	AUDIO IN	(7)	VGA Interface
(2)	RS-232 Serial Interface	(8)	USB 3.0 Interface
(3)	Power Switch	(9)	HDMI Interface
(4)	100 to 240 VAC Power Input	(10)	AUDIO OUT
(5)	ALARM IN and ALARM OUT	(11)	LAN1 and LAN2 Network Interfaces
(6)	RS-485 Serial Interface		

Get More Information

Do you have any question about the DS-7732NI-K4?

Contact us now via [Live Chat](#) or sales@router-switch.com.

Specification

DS-7732NI-K4 Specification	
Video/Audio Input	
Two-way audio input	1-ch, RCA (2.0 Vp-p, 1kΩ)
IP video input	32-ch
Network	
Remote connection	128
Incoming bandwidth	256Mbps
Outgoing bandwidth	160Mbps
Video/Audio Output	
HDMI Output	1-ch, resolution: 4K (3840*2160)/60Hz, 4K (3840*2160)/30Hz, 1920*1080P/60Hz, 1600*1200/60Hz, 1280*1024/60Hz, 1280*720/60Hz, 1024*768/60Hz
Recording Resolution	8MP/6MP/5MP/4MP/3MP/1080p/UXGA/720p/VGA/4CIF/DCIF/2CIF/CIF/QCIF
Audio Output	1-ch, RCA (Linear, 1kΩ)
Synchronous Playback	16-ch

VGA Output	1-ch, resolution: 1920*1080P/60Hz, 1280*1024/60Hz, 1280*720/60Hz, 1024*768/60Hz
Decoding	
Capability	8-ch@1080P
Live view / Playback	8MP/6MP/5MP/3MP/1080p/UXGA/720p/VGA/4CIF/DCIF/2CIF/CIF/QCIF
Hard Disk	
SATA	4 SATA interfaces for 4HDDs
Capacity	Up to 6TB capacity for each HDD
External Interface	
Network Interface	2 RJ-45 10/100/1000Mbps self-adaptive Ethernet interfaces
Serial Interface	RS-232; RS-485;
USB Interface	Front panel: 2 × USB 2.0 Rear panel: 1 × USB 3.0
Alarm In	16-ch
Alarm Out	4-ch
General	
Power Supply	100 to 240 VAC
Consumption (without hard disk and POE)	≤20 W
Working Temperature	-10 oC ~ +55 oC (+14 oF ~ + 131 oF)
Working Humidity	10 % ~ 90 %
Chassis	19-inch rack-mounted 1.5U chassis
Dimensions	445 × 390 × 70 mm (17.5"× 15.3" × 2.8")

Want to Buy

[Order Now](#)
[Get a Quote](#)

Why Router-switch.com

As a leading network hardware supplier, Router-switch.com focuses on original new ICT equipment of [Cisco](#), [Huawei](#), [HPE](#), [Dell](#), [Hikvision](#), [Juniper](#), [Fortinet](#), etc.



200+

Countries we Sold



18,000+

Customers Trusted



\$20,000,000

Inventory Available



50%-98%

Off Global List Price



100%

Safe Online Shopping

Contact Us

- Tel: +1-626-655-0998 (USA) +852-3050-1066 / +852-3174-6166
- Fax: +852-3050-1066 (Hong Kong)
- Email: sales@router-switch.com